



**Electrolux**  
PROFESSIONAL

## Stainless Steel Preparation 373x1126 mm Aluminum Linear Units

ITEM # \_\_\_\_\_

MODEL # \_\_\_\_\_

NAME # \_\_\_\_\_

SIS # \_\_\_\_\_

AIA # \_\_\_\_\_



137014 (ALS1126)

Linear Shelving Set with  
aluminium side uprights and  
4 polyethylene louvered  
shelves, 373x1126 mm

### Short Form Specification

Item No. \_\_\_\_\_

For linear installation. 4-level shelving set with louvered sectional polyethylene shelves (depth=373mm). Aluminium (20 micron) side uprights (height=1700mm). Adjustable feet.

### Main Features

- Complete shelving system allows rapid and easy fixing of the shelves to the uprights.
- GN 1/1, GN 1/2 and GN 1/3 can be inserted into the frame.

### Construction

- Uprights and shelf frames constructed entirely in anodized aluminium (20 micron).
- 4 tiers.
- Shelves made by section of polyethylene tablets.
- Sectional polyethylene shelves are dishwasher safe.

### Optional Accessories

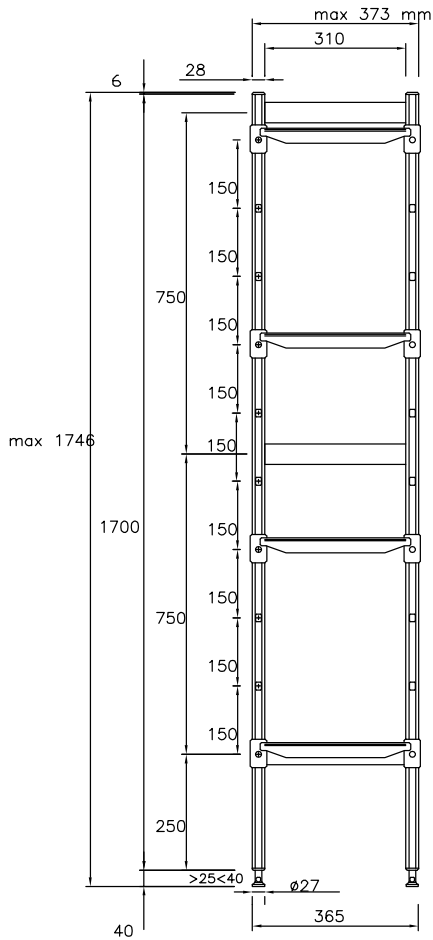
- Polyethylene shelf with aluminium frame, 373x1062mm PNC 850054
- Angle joint for shelves (depth=373mm) PNC 850070
- 2 swivelling wheels, 100mm PNC 850072
- 2 swivelling wheels with brakes, 100mm PNC 850073

APPROVAL: \_\_\_\_\_

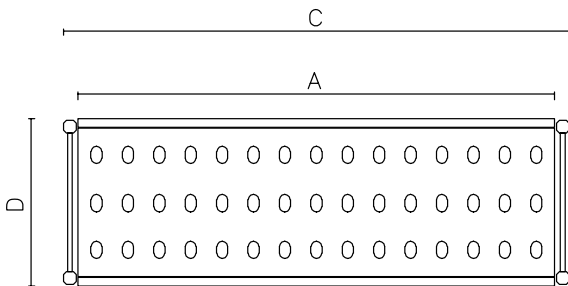


Experience the Excellence  
[www.electroluxprofessional.com](http://www.electroluxprofessional.com)

Front



Top



Other

|        | A mm | C mm | D mm |
|--------|------|------|------|
| 137010 | 708  | 772  | 373  |
| 137011 | 798  | 862  | 373  |
| 137012 | 886  | 950  | 373  |
| 137013 | 974  | 1038 | 373  |
| 137014 | 1062 | 1126 | 373  |
| 137015 | 1152 | 1216 | 373  |
| 137016 | 1240 | 1304 | 373  |
| 137017 | 1330 | 1394 | 373  |
| 137018 | 1505 | 1569 | 373  |

**Key Information:**
**External dimensions, Width:**
**137014 (ALS1126)** 1126 mm

**External dimensions, Depth:** 373 mm

**External dimensions, Height:** 1700 mm

**Max loading weight:** 760 kg

**Net weight:** 20 kg

**Uprights** 2